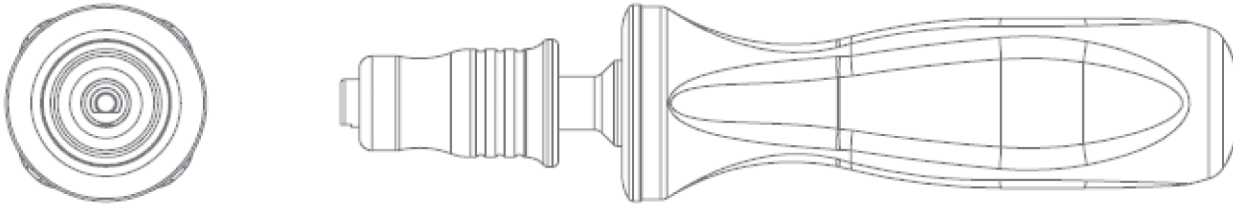


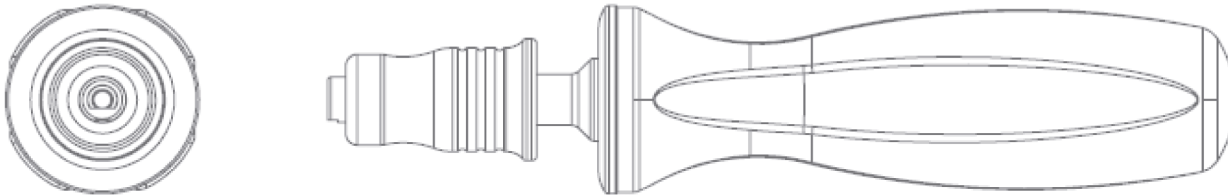
Silicone Handles w/Fixed Coupling



MINI INLINE SILICONE HANDLE W/ FIXED COUPLING

Catalog #	Description
HM0011*	Driver, Mini Inline, Mini AO Pull Coupling, Ø0.1 Cannulation
HM0012	Driver, Mini Inline, Mini AO Pull Coupling, Fr/Rr Cap, Ø0.1 Cannulation

*Item shown



LONG MINI INLINE SILICONE HANDLE W/ FIXED COUPLING

Catalog #	Description
HM1011*	Driver, Long Mini Inline, Mini AO Pull Coupling, Ø0.1 Cannulation
HM1012	Driver, Long Mini Inline, Mini AO Pull Coupling, Fr/Rr Cap, Ø0.1 Cannulation

*Item shown

US Customer Service

4532 Park 30 Drive
Columbia City, IN 46725
U.S.A.
tel +1 260-244-6300
fax +1 260-244-6345

orthopaedicsna@greatbatchmedical.com

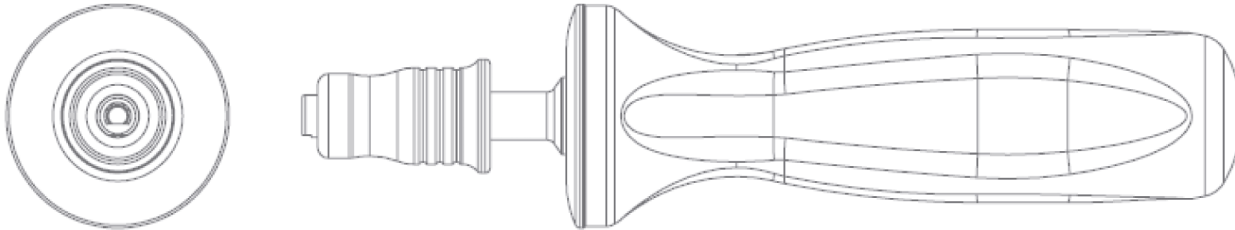
www.greatbatchmedical.com

Europe & Asia Customer Service

L'Echelette 7
2534 Orvin
Switzerland
tel +41 32 358 01 11
fax +41 32 358 01 00

orthopaedicseurope@greatbatchmedical.com

Silicone Handles w/Fixed Coupling

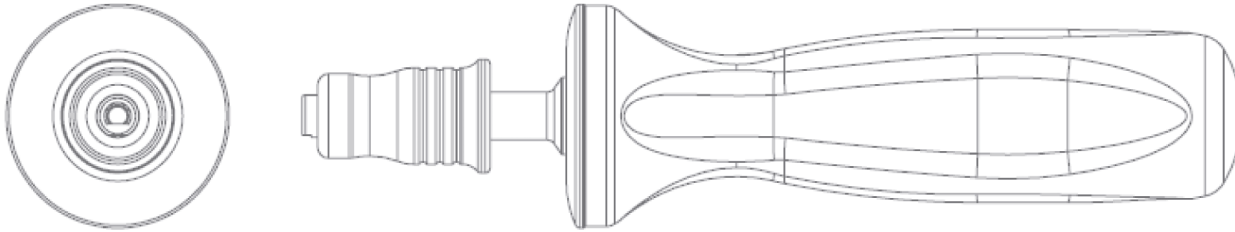


STANDARD INLINE SILICONE HANDLE W/ FIXED COUPLING

Catalog #	Description
HS0003	Driver, Standard Inline, 1/4" SQ Pull Coupling, Front Cap, Ø0.2 Cannulation
HS0004	Driver, Standard Inline, 1/4" SQ Pull Coupling, Fr/Rr Cap, Ø0.2 Cannulation
HS0007	Driver, Standard Inline, Large Hudson Pull Coupling, Front Cap, Ø0.16 Cannulation
HS0008	Driver, Standard Inline, Large Hudson Pull Coupling, Fr/Rr Cap, Ø0.16 Cannulation
HS0009	Driver, Standard Inline, Z-S-J-Hall † Pull Coupling, Front Cap, Ø0.2 Cannulation
HS0010	Driver, Standard Inline, Z-S-J-Hall † Pull Coupling, Fr/Rr Cap, Ø0.2 Cannulation
HS0011*	Driver, Standard Inline, Mini AO Pull Coupling, Front Cap, Ø0.1 Cannulation
HS0012	Driver, Standard Inline, Mini AO Pull Coupling, Fr/Rr Cap, Ø0.1 Cannulation

*Item shown; † Z-S-J-Hall = Zimmer-Stryker-Jacobs Hall

Silicone Handles w/Fixed Coupling

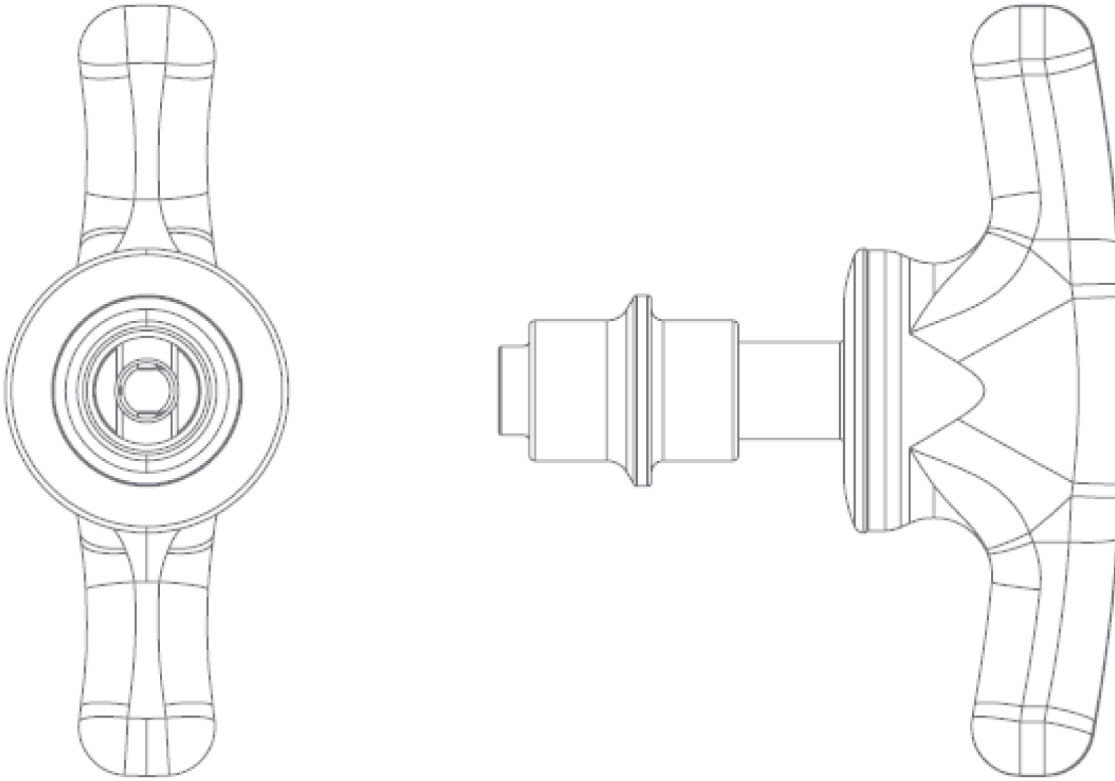


LARGE INLINE SILICONE HANDLE W/ FIXED COUPLING

Catalog #	Description
HL0003	Driver, Large Inline, 1/4" SQ Pull Coupling, Front Cap, Ø0.2 Cannulation
HL0004	Driver, Large Inline, 1/4" SQ Pull Coupling, Fr/Rr Cap, Ø0.2 Cannulation
HL0007	Driver, Large Inline, Large Hudson Pull Coupling, Front Cap, Ø0.16 Cannulation
HL0008	Driver, Large Inline, Large Hudson Pull Coupling, Fr/Rr Cap, Ø0.16 Cannulation
HL0009	Driver, Large Inline, Z-S-J-Hall † Pull Coupling, Front Cap, Ø0.2 Cannulation
HL0010	Driver, Large Inline, Z-S-J-Hall † Pull Coupling, Fr/Rr Cap, Ø0.2 Cannulation
HL0011*	Driver, Large Inline, Mini AO Pull Coupling, Front Cap, Ø0.1 Cannulation
HL0012	Driver, Large Inline, Mini AO Pull Coupling, Fr/Rr Cap, Ø0.1 Cannulation

*Item shown; † Z-S-J-Hall = Zimmer-Stryker-Jacobs Hall

Silicone Handles w/Fixed Coupling

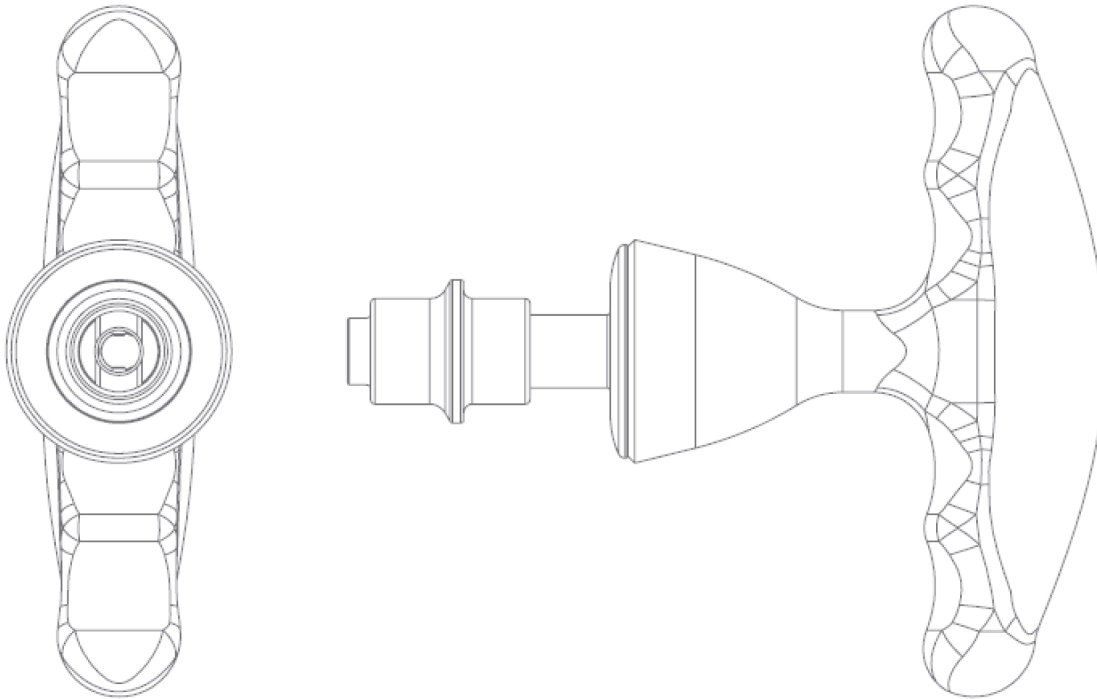


SHORT-T SILICONE HANDLE W/ FIXED COUPLING

Catalog #	Description
HTS0003	Driver, Short T, 1/4" SQ Pull Coupling, Front Cap, Ø0.2 Cannulation
HTS0004	Driver, Short T, 1/4" SQ Pull Coupling, Fr/Rr Cap, Ø0.2 Cannulation
HTS0007*	Driver, Short T, Large Hudson Pull Coupling, Front Cap, Ø0.16 Cannulation
HTS0008	Driver, Short T, Large Hudson Pull Coupling, Fr/Rr Cap, Ø0.16 Cannulation
HTS0009	Driver, Short T, Z-S-J-Hall † Pull Coupling, Front Cap, Ø0.2 Cannulation
HTS0010	Driver, Short T, Z-S-J-Hall † Pull Coupling, Fr/Rr Cap, Ø0.2 Cannulation
HTS0011	Driver, Short T, Mini AO Pull Coupling, Front Cap, Ø0.1 Cannulation
HTS0012	Driver, Short T, Mini AO Pull Coupling, Fr/Rr Cap, Ø0.1 Cannulation

*Item shown; † Z-S-J-Hall = Zimmer-Stryker-Jacobs Hall

Silicone Handles w/Fixed Coupling

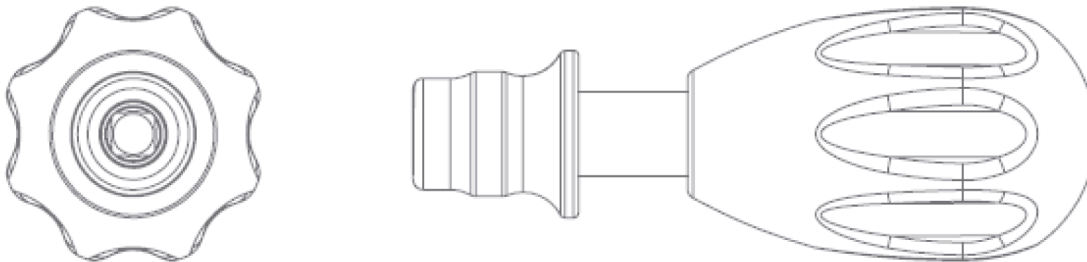


XLT120 SILICONE HANDLE W/ FIXED COUPLING

Catalog #	Description
HX0003	Driver, XLT120, 1/4" SQ Pull Coupling, Front Cap, Ø0.2 Cannulation
HX0004	Driver, XLT120, 1/4" SQ Pull Coupling, Fr/Rr Cap, Ø0.2 Cannulation
HX0007*	Driver, XLT120, Large Hudson Pull Coupling, Front Cap, Ø0.16 Cannulation
HX0008	Driver, XLT120, Large Hudson Pull Coupling, Fr/Rr Cap, Ø0.16 Cannulation
HX0009	Driver, XLT120, Z-S-J-Hall † Pull Coupling, Front Cap, Ø0.2 Cannulation
HX0010	Driver, XLT120, Z-S-J-Hall † Pull Coupling, Fr/Rr Cap, Ø0.2 Cannulation
HX0011	Driver, XLT120, Mini AO Pull Coupling, Front Cap, Ø0.1 Cannulation
HX0012	Driver, XLT120, Mini AO Pull Coupling, Fr/Rr Cap, Ø0.1 Cannulation

*Item shown; † Z-S-J-Hall = Zimmer-Stryker-Jacobs Hall

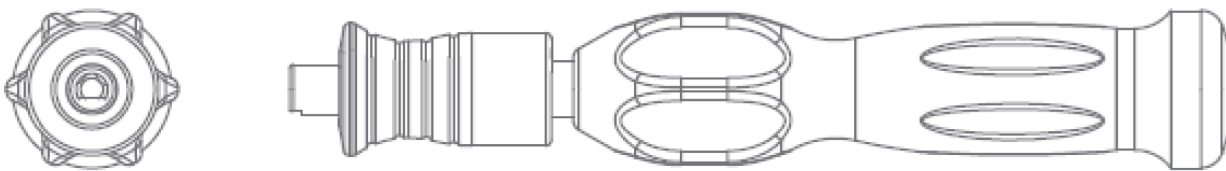
Silicone Handles w/Fixed Coupling



PALM INLINE SILICONE HANDLE W/ FIXED COUPLING

Catalog #	Description
HP0003*	Driver, Palm, 1/4" SQ Pull Coupling, Front Cap, Ø0.2 Cannulation
HP0004	Driver, Palm, 1/4" SQ Pull Coupling, Fr/Rr Cap, Ø0.2 Cannulation
HP0007	Driver, Palm, Large Hudson Pull Coupling, Front Cap, Ø0.16 Cannulation
HP0008	Driver, Palm, Large Hudson Pull Coupling, Fr/Rr Cap, Ø0.16 Cannulation
HP0009	Driver, Palm, Z-S-J-Hall † Pull Coupling, Front Cap, Ø0.2 Cannulation
HP0010	Driver, Palm, Z-S-J-Hall † Pull Coupling, Fr/Rr Cap, Ø0.2 Cannulation
HP0011	Driver, Palm, Mini AO Pull Coupling, Front Cap, Ø0.1 Cannulation
HP0012	Driver, Palm, Mini AO Pull Coupling, Fr/Rr Cap, Ø0.1 Cannulation

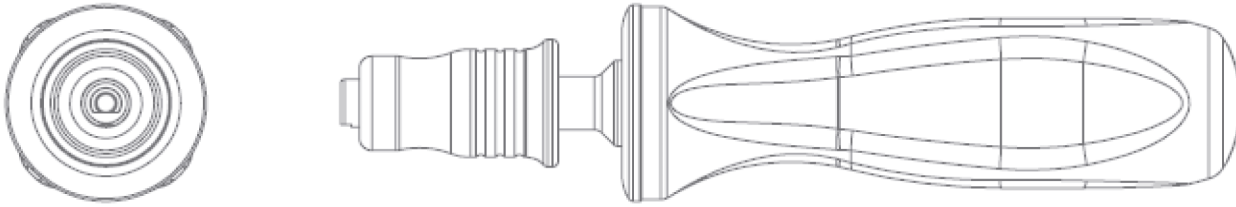
*Item shown; † Z-S-J-Hall = Zimmer-Stryker-Jacobs Hall



JEWELER HANDLE W/ FIXED COUPLING AND SPIN CAP

Catalog #	Description
HJ0001*	Driver, Jeweler, Mini AO Push Coupling, Spin Cap
HJ0011	Driver, Jeweler, Mini AO Pull Coupling, Spin Cap

Silicone Handles w/Fixed Coupling



PALM SPIN KNOB (RADEL) HANDLE W/ FIXED COUPLING

Catalog #	Description
HPK311	Driver, Palm Knob, Mini AO Pull Coupling, Spin CapHM0012 Driver, Mini

Silicone Handles w/Fixed Coupling

HOW TO SPECIFY A SILICONE HANDLE W/FIXED COUPLING

Ex. Standard Inline handle with Large Hudson Coupling and rear plug in black silicone.

HS0007-P-S01

1 BASE CATALOGUE NUMBER- Reference tables

2 PLUG

DESIGNATION	Description
P	Plug (No Cannulation)
None	Cannulation

3 SILICONE COLOR

DESIGNATION	COLOR
-S01	Black*
-S04	Gray
-S09	Blue*

*Standard colors. Other colors are available upon request.
Please provide Pantone® Matching System (PMS) number at time of request.

OTHER OPTIONS INCLUDE:

- Rear Spin Cap
- Integral Drive Shaft
- Custom Handle Styles